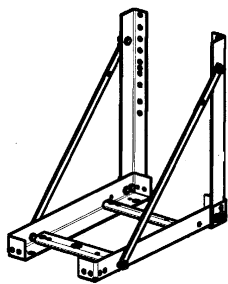
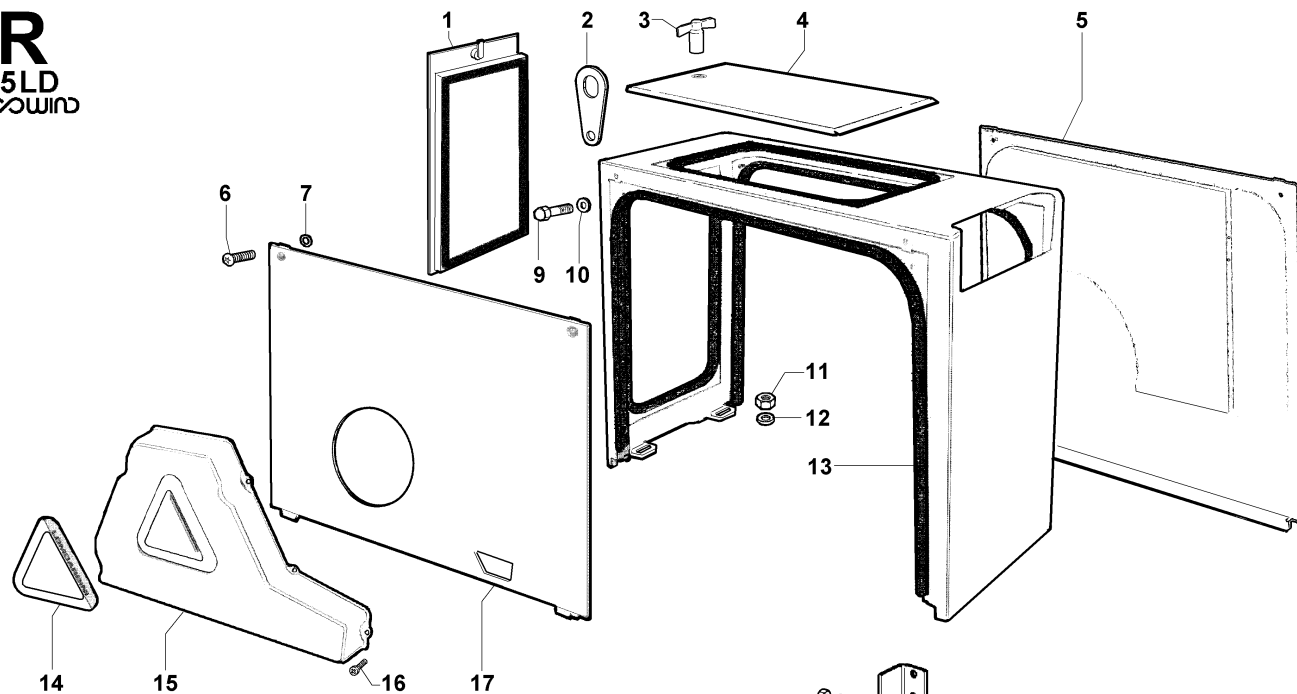


**HOOD**

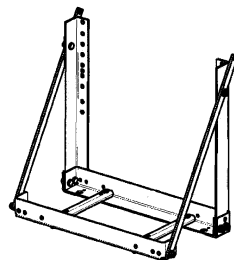
POS.	CODE	DESCRIPTION	Qty
1	2691.101	insp.cover	1
2	8545.939	lifting brace	4
3	2300.001	key hatch	2
4	2691.101	insp.cover	1
5	2691.100	rear side hood cover	1
6	9730.012	screw M 6 X 20	4
7	1200.051	rubber oil seal	4
9	1770.004	bolt M 8 X 1,25 X 20	4
10	7565.007	washer diam. 8	4
11	3203.108	nut M 8	4
12	7625.010	washer diam. 8	4
13	2460.124	cowling	1
14	5302.681	adhesive logo	1
15	6925.109	GUARD	1
16	9730.404	screw M 4 X 16	5
17	2691.099	FRONT SIDE HOOD COVER	1
18	8675.307	power unit support	1
19	9265.190	brace	2
20	1351.018	crosspiece (skillful side)	1
21	1800.003	bolt M 14 X 40	8
22	7625.030	washer	8
23	3203.055	selflocking nut M 14	8
24	7472.069	angle reinforce	2
25	9800.157	screw M 10 X 40	2
26	1351.019	angular crosspiece (left side)	1
27	1351.021	cross bar	1
28	1780.008	bolt M 10 X 1,5 X 40	2
29	1351.020	angular crosspiece horizontal	2
30	1351.022	cross bar	1
31	7625.020	washer diam.10,5	4
32	3203.016	nut M 10	4

R
15LD
ECOWIND



montaggio perpendicolare al
senso di marcia
perpendicular assembly to
the march direction

18



montaggio parallelo al senso
di marcia
parallel assembly to the march
direction

18

